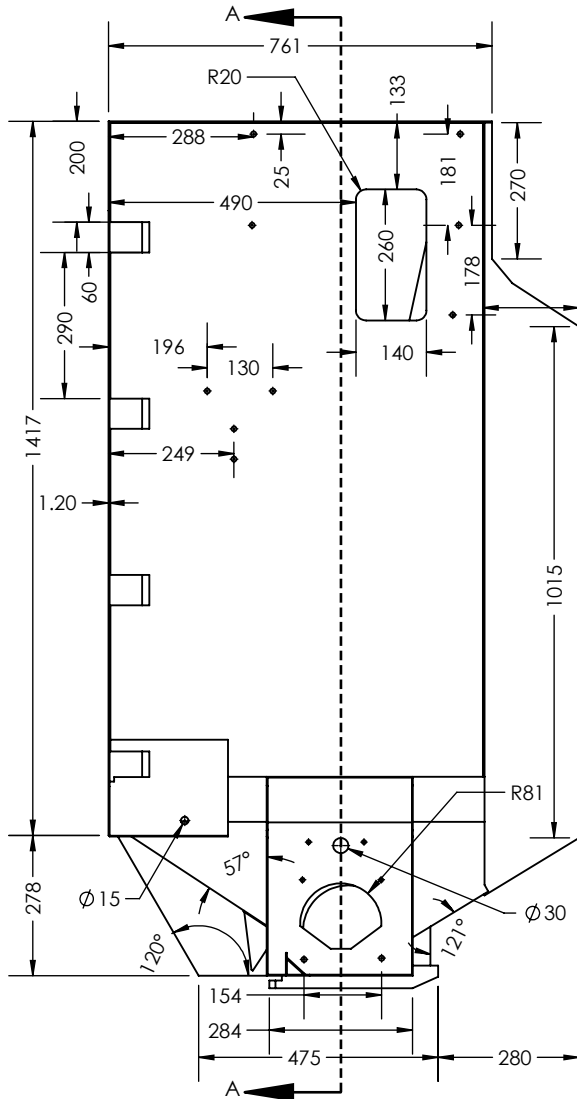
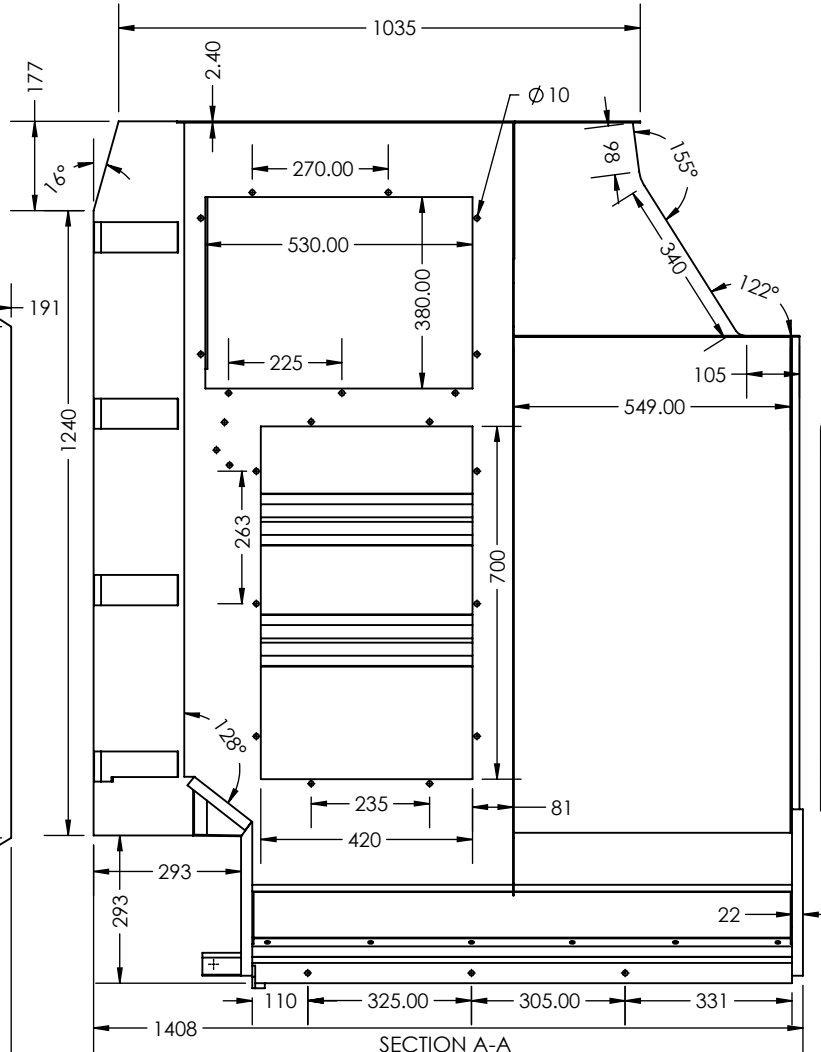


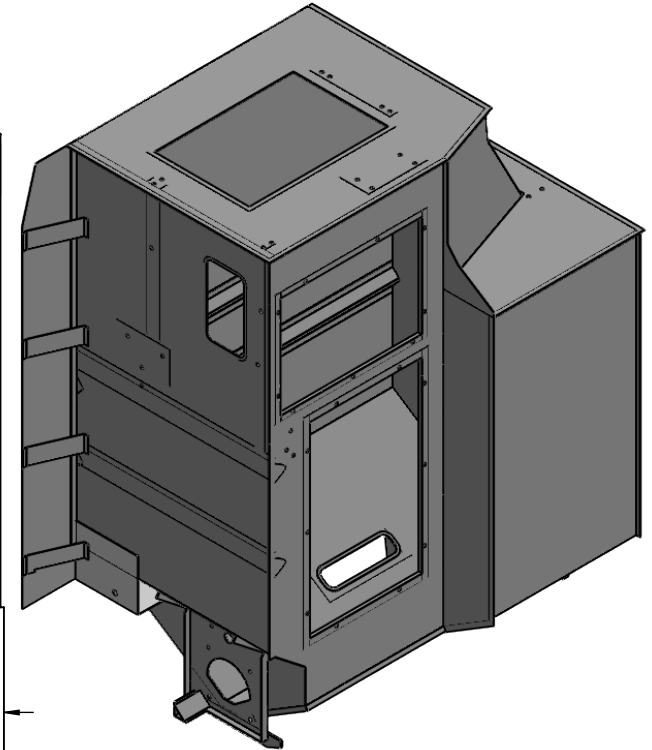
GRAIN TANK.
MORE DIMENSION IN NEXT PAGES.


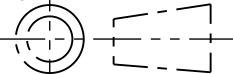


FRONT SIDE VIEW

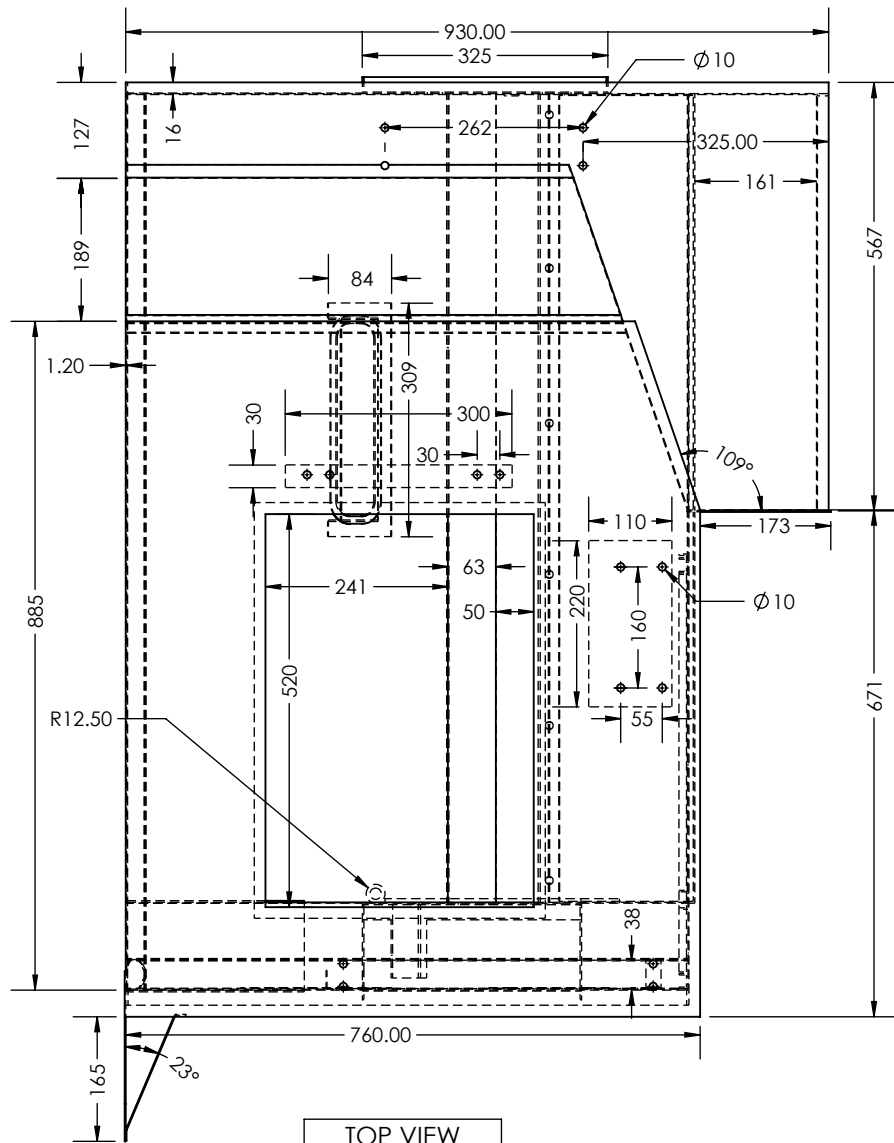


SECTION A-A
SCALE 1 : 15

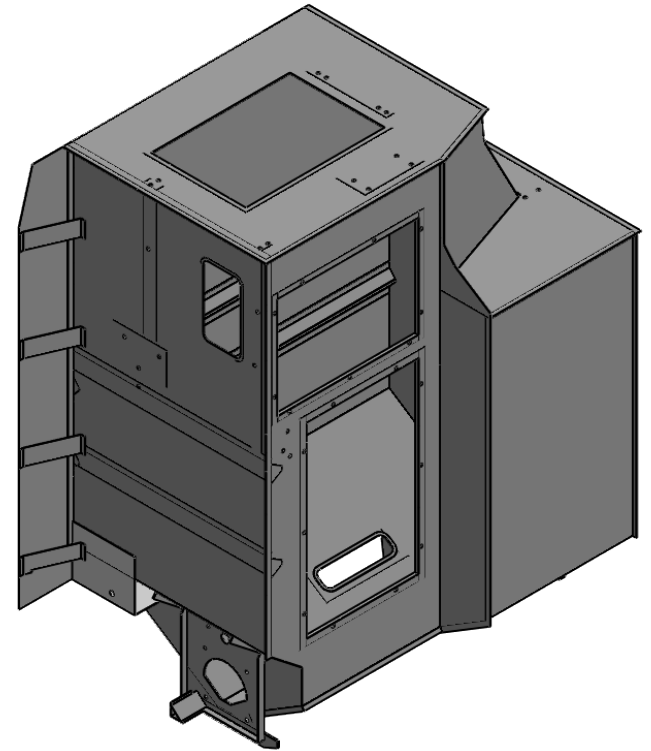


UNLESS OTHERWISE SPECIFIED: STD. TOLARANCE DIMENSION ARE IN MILLIMETER MILLIMETER: +0.1, ANGULAR : +0.05 *DOES NOT APPLY TO HOLE SIZE				 Agricultural Machineries - Dhaka ACI Motors Limited		SCALE DRAWING	
DETAILS		NAME	SIGNATURE			DATE	FINISH: NONE
DRAWN		MD.SHOBUIJ AHMED (CC&CET)	M S A	5-Feb-2026	TITLE:		FIRST ISSUED:08-FEB-2026
CHK'D				5-Feb-2026	DRG.		
APPV'D				5-Feb-2026	DWG: NO:		
CAD CAM & CNC Engineering Technology				THIRD ANMGL PROJECTION:		OUTSOURCING:	
						UNIT:MM	
SCALE: 1:1		SHEET:27		REVISION:		A4	
						WETGHT:	
						A	

GRAIN TANK.
MORE DIMENSION IN NEXT PAGES.



TOP VIEW



UNLESS OTHERWISE SPECIFIED:
STD. TOLARANCE
DIMENSION ARE IN MILLIMETER
MILLIMETER: +0.1, ANGULAR : +0.05
*DOES NOT APPLY TO HOLE SIZE

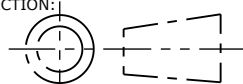


Agricultural Machineries - Dhaka
ACI Motors Limited

SCALE DRAWING
FINISH: NONE
FIRST ISSUED: 08-FEB-2026

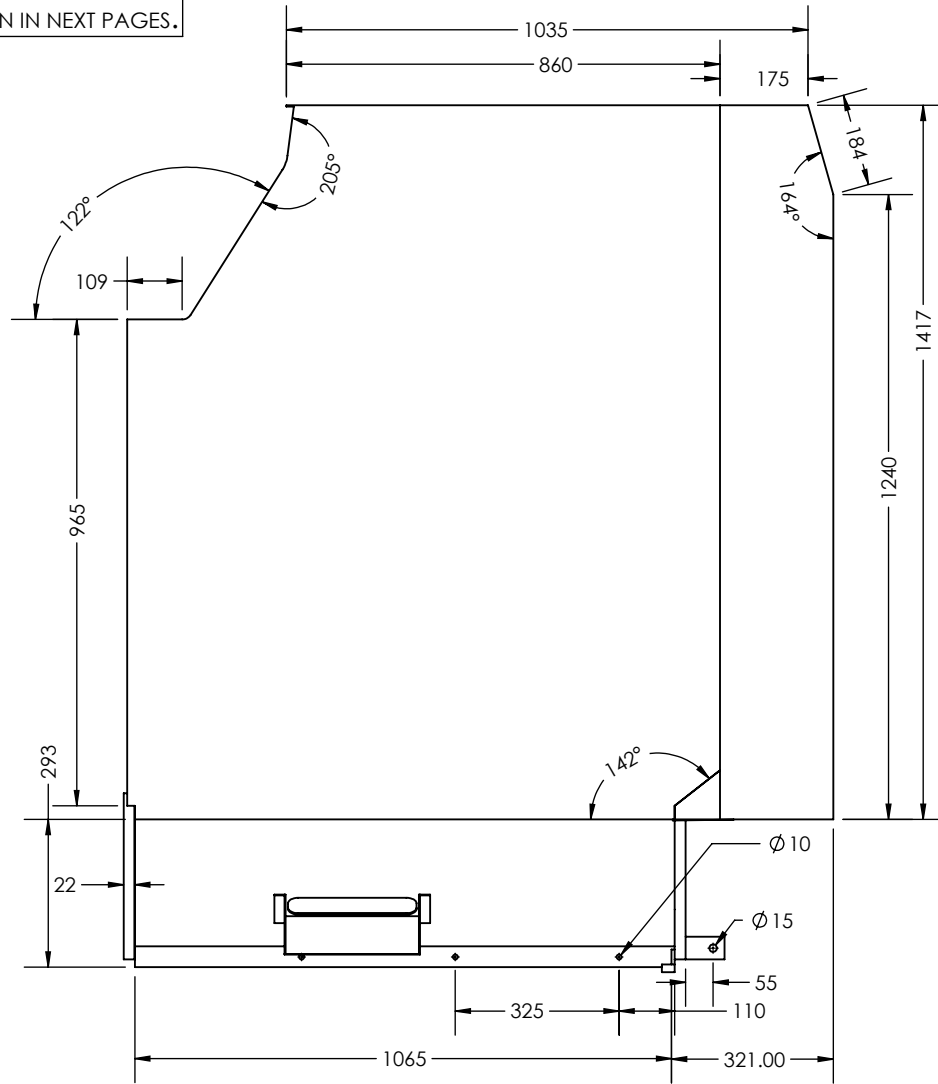
DETAILS	NAME	SIGNATURE	DATE
DRAWN	MD.SHOBUIJ AHMED (CC&CET)	M S A	5-Feb-2026
CHK'D			5-Feb-2026
APPV'D			5-Feb-2026

TITLE:	
DRG.	

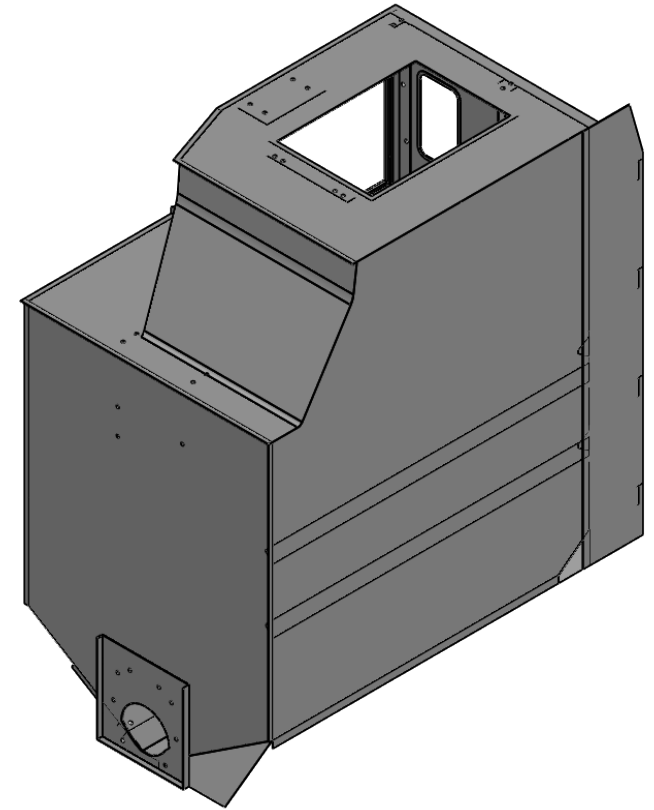
CAD CAM & CNC Engineering Technology
THIRD ANMGL PROJECTION:


DWG: NO:		UNIT:MM
OUTSOURCING:		A4
MATERIAL: N/A	WETGHT:	A
SCALE: 1:1	SHEET: 27	REVISION:

GRAIN TANK.
MORE DIMENSION IN NEXT PAGES.



LEFT SIDE VIEW



REAR ISOMETRIC VIEW

UNLESS OTHERWISE SPECIFIED:
STD. TOLARANCE
DIMENSION ARE IN MILLIMETER
MILLIMETER: +0.1, ANGULAR : +0.05
*DOES NOT APPLY TO HOLE SIZE

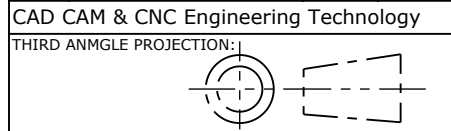


Agricultural Machineries - Dhaka
ACI Motors Limited

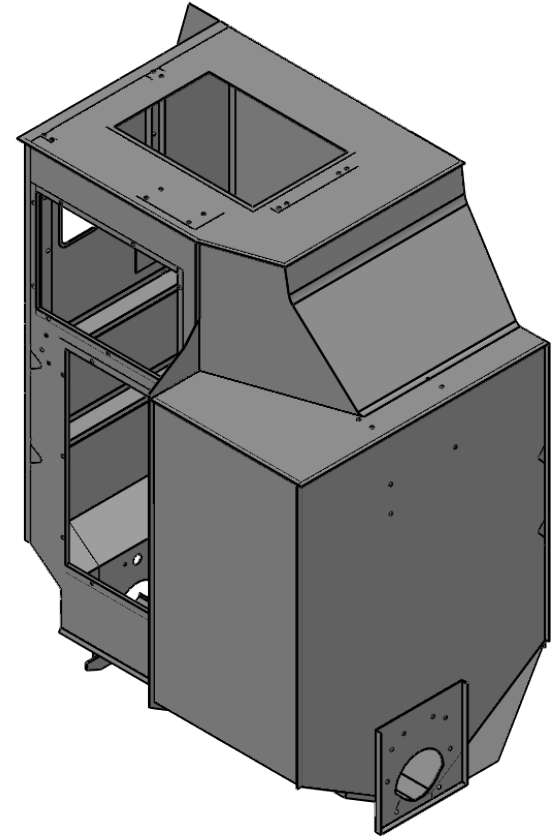
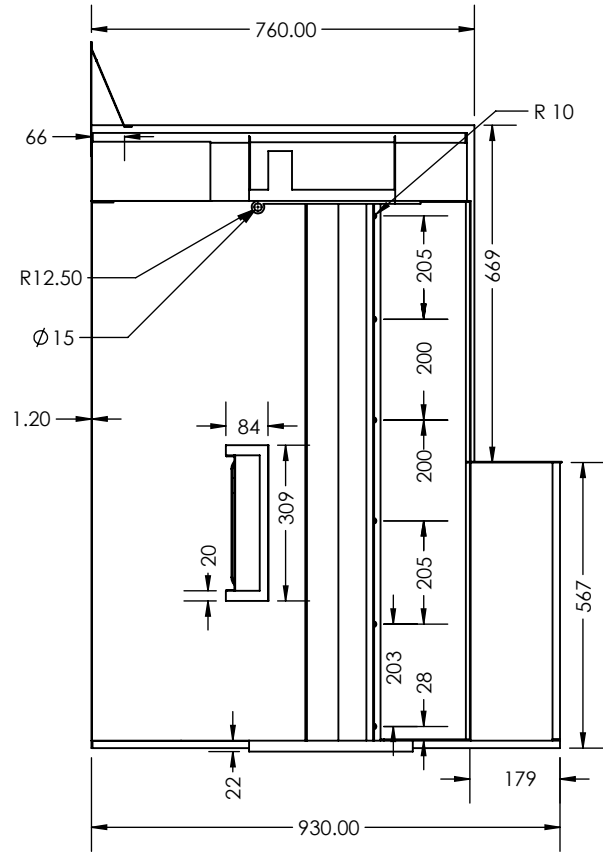
SCALE DRAWING
FINISH: NONE
FIRST ISSUED: 08-FEB-2026

DETAILS	NAME	SIGNATURE	DATE
DRAWN	MD.SHOBUIJ AHMED (CC&CET)	M S A	5-Feb-2026
CHK'D			5-Feb-2026
APPV'D			5-Feb-2026


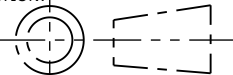
TITLE:	
DRG.	
DWG: NO:	
OUTSOURCING:	
UNIT:MM	
MATERIAL: N/A	WETGHT:
A4	
SCALE: 1:1	SHEET: 27
REVISION:	A



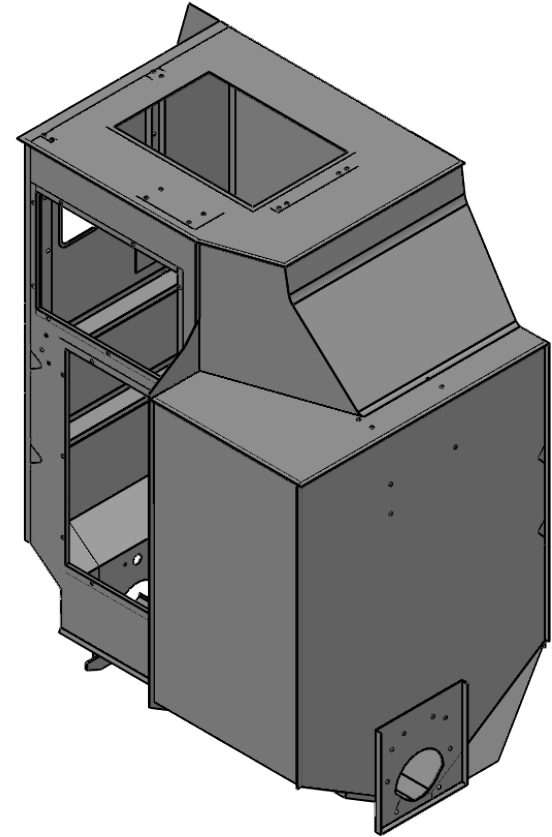
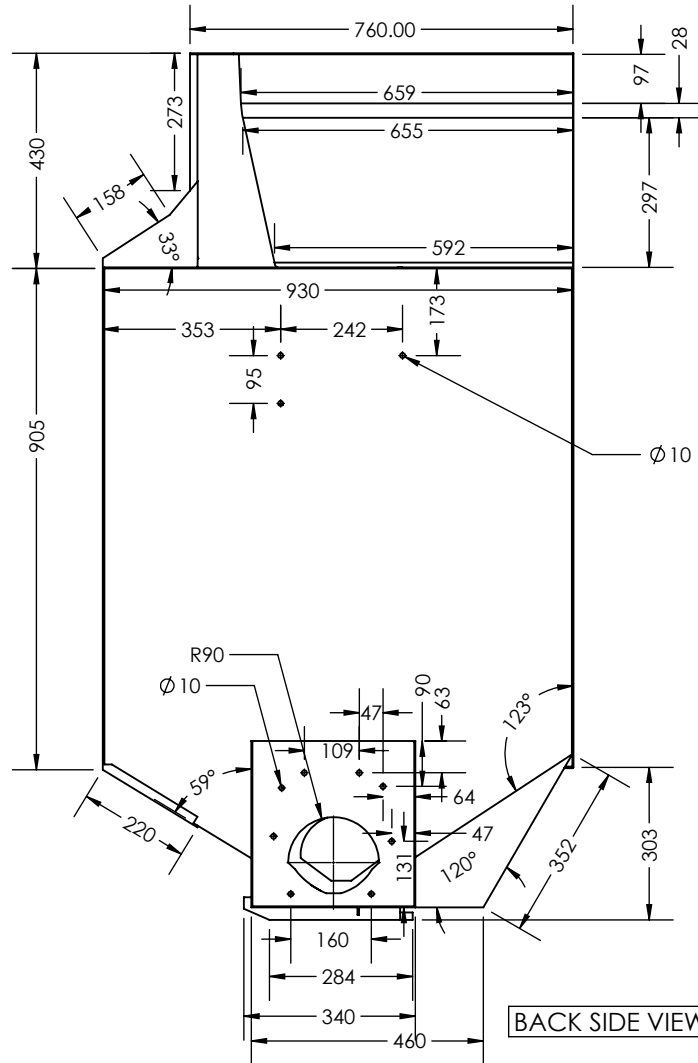
GRAIN TANK.
MORE DIMENSION IN NEXT PAGE.



BOTTOM VIEW

UNLESS OTHERWISE SPECIFIED: STD. TOLARANCE DIMENSION ARE IN MILLIMETER MILLIMETER: +0.1, ANGULAR : +0.05 *DOES NOT APPLY TO HOLE SIZE		 Agricultural Machineries - Dhaka ACI Motors Limited		SCALE DRAWING	
				FINISH: NONE	
				FIRST ISSUED: 08-FEB-2026	
DETAILS	NAME	SIGNATURE	DATE	TITLE:	
DRAWN	MD.SHOBUI AHMED (CC&CET)	M S A	5-Feb-2026	DRG.	
CHK'D			5-Feb-2026		
APPV'D			5-Feb-2026		
CAD CAM & CNC Engineering Technology			DWG: NO:		
THIRD ANMGL PROJECTION:			OUTSOURCING:		UNIT:MM
			MATERIAL: N/A		WETGHT: A4
SCALE: 1:1		SHEET: 27		REVISION: A	

GRAIN TANK.



BACK SIDE VIEW

UNLESS OTHERWISE SPECIFIED:
 STD. TOLARANCE
 DIMENSION ARE IN MILLIMETER
 MILLIMETER: +0.1, ANGULAR : +0.05
 *DOES NOT APPLY TO HOLE SIZE

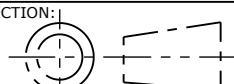


Agricultural Machineries - Dhaka
ACI Motors Limited

SCALE DRAWING
 FINISH: NONE
 FIRST ISSUED: 08-FEB-2026

DETAILS	NAME	SIGNATURE	DATE
DRAWN	MD.SHOBUIJ AHMED (CC&CET)	M S A	5-Feb-2026
CHK'D			5-Feb-2026
APPV'D			5-Feb-2026

TITLE:	
DRG.	

CAD CAM & CNC Engineering Technology
 THIRD ANMGL PROJECTION:


DWG: NO:		UNIT:MM
OUTSOURCING:		A4
MATERIAL: N/A	WETGHT:	A
SCALE: 1:1	SHEET: 27	REVISION: